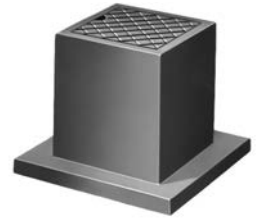
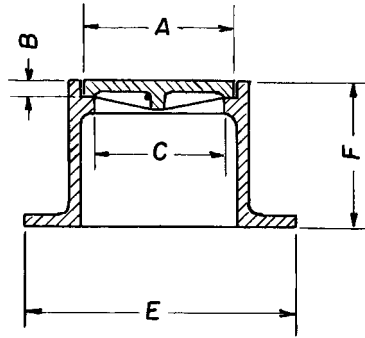


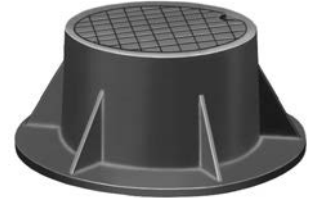
**R-1970 to R-1978 Series
Lamphole/Monument/Inspection Frame, Solid Lid**

Heavy Duty

Furnished standard with as-cast bearing surfaces unless otherwise noted.



Illustrating R-1978



Illustrating R-1976

Catalog No.	Dimensions in inches				
	A	B	C	E	F
Round					
R-1970	7	2 1/8	5 3/4	13 1/8	7
R-1971 *	8	3/4	6 1/2	10 1/2	10
R-1973	7 1/2	3/4	6 1/2	13 1/4	7
R-1973-1	7 3/4	3/4	6 3/4	13 1/4	7
R-1973-A	8 7/8	11/16	7 3/4	15 3/4	8
R-1974-A	9	1	8	16	6 1/2
R-1975	9 1/2	1/2	8 1/2	20	11
R-1975-A	9 7/8	7/8	9	15 5/8	6
R-1975-A2	10	1	9	16	8
R-1975-A3	10	2	9	16	8
R-1976	11 1/4	1 1/4	10	20	8
R-1977 ** ***	11 1/2	1 1/2	8 1/2	16	12
Square					
R-1978 **	6 7/8 x 6 7/8	1	5 x 5	13 x 13	10
R-1978-A3	7 7/8 x 7 7/8	7/8	6 1/2 x 6 1/2	16 1/2 x 16 1/2	6 7/8
R-1978-A10	7 7/8 x 7 7/8	7/8	6 1/2 x 6 1/2	16 3/4 x 16 3/4	10
R-1978-A15	7 7/8 x 7 7/8	7/8	6 5/8 x 6 5/8	17 1/4 x 17 1/4	15
R-1978-B	12 x 12	3/4	10 5/8 x 10 5/8	20 1/2 x 20 1/2	7 3/8

* Base consists of 4 bolting lugs for 1/2" bolt on 9-1/2" bolt circle instead of full flange.

** Furnished with machined horizontal bearing surfaces.

*** Lid bolted to frame.

**R-1978-A2
Lamphole/Monument/Inspection Frame, Solid Lid**

Heavy Duty

